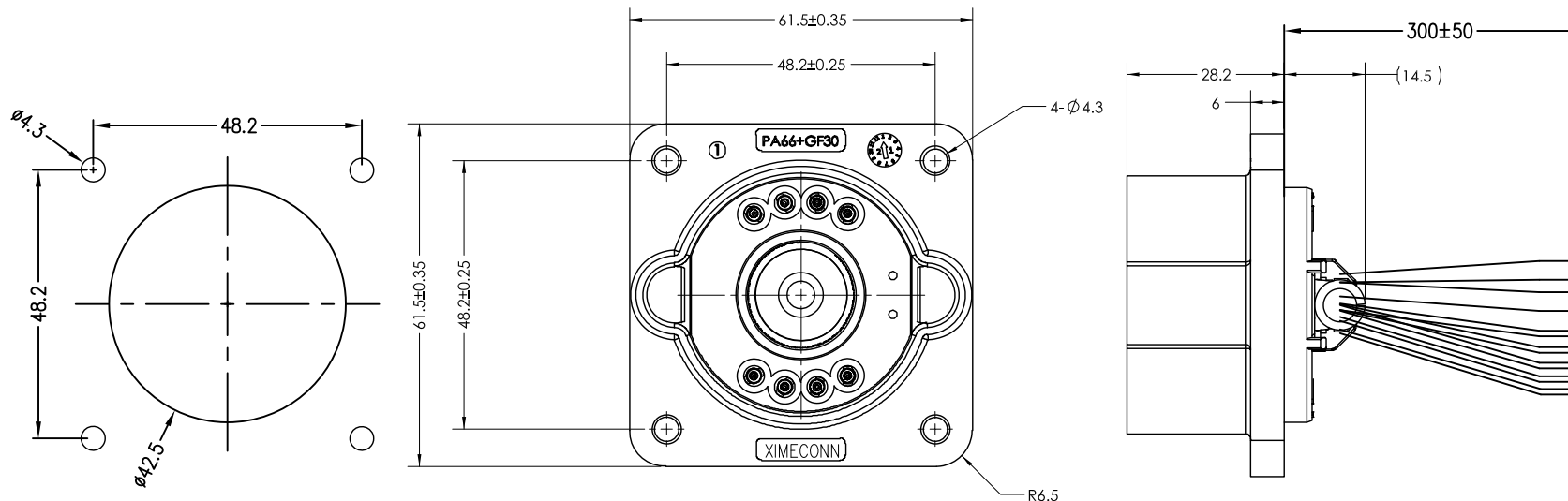


| GENERAL TOLERANCE | | | | | |
|-------------------|-------|----------|-----------|------------|--------|
| DIM. RANGE | ≤ 100 | >101-500 | >501-1000 | >1001-3000 | > 3001 |
| TOLERANCE | ± 5 | ± 10 | ± 15 | ± 20 | ± 30 |

| REVISIONS | | |
|-----------|-----------------------------|----------|
| LTR | DESCRIPTION | DATE |
| A | INITIAL RELEASE | 11/12/20 |
| B | UPDATED TO UL9540A APPROVED | 9/12/21 |



- .--RED POWER
- +.--RED POWER
- 1.--GREEN
- 2.--GREEN
- 3.--GREEN
- 4.--GREEN
- 5.--GREEN
- 6.--GREEN
- 7.--GREEN
- 8.--GREEN

- 1.MATERIAL:
BODY: THERMOPLASTIC,UL94V-0.
CONTACT: COPPER ALLOY.
- 2.SPECIFICATIONS:
2.1 RATED CURRENT: 2pin : POWER 100 AMP, 8pin : SIGNAL 5AMP.
2.2 RATED VOLTAGE: 300V DC/AC.
2.3 OPERATING TEMPERATURE: $-20^{\circ}\text{C} \sim +85^{\circ}\text{C}$.
2.4 RoHS COMPLIANT.
- 3.ALL MATERIALS SHALL BE CERTIFIED COMPLIANT TO THE LATEST RoHS DIRECTIVE.

NOTES:
THIS DOCUMENT CONTAINS PROPRIETARY INFORMATION AND SUCH INFORMATION MAY NOT BE DISCLOSED TO OTHERS FOR ANY PURPOSE OR USED FOR MANUFACTURING PURPOSES WITHOUT WRITTEN PERMISSION FROM THE AMPHENOL CORP.

UNLESS OTHERWISE SPECIFIED
LINEAR DIMENSIONS ARE IN: MILLIMETERS
TOLERANCES:
ANGLES= $\pm 2^{\circ}$
DEFAULT LINEAR TOLERANCES SEE TABLE
DIM. & TOL. PER ASME Y14.5M-1994;
DRM PER MIL-DTL-31000;
OTHER AMPHENOL STANDARDS: 9-9318

SPECIFICATIONS
MATERIAL SPEC. N/A
PROCESS SPEC. N/A

| ITEM | QTY | PART NUMBER | DESCRIPTION | NOTE |
|------|-----|-------------|-----------------------------------|------|
| 2 | 2+8 | - | POWER(8AWG)/SIGNAL(22AWG) CONTACT | |
| 1 | 1 | - | PLASTIC BODY | |

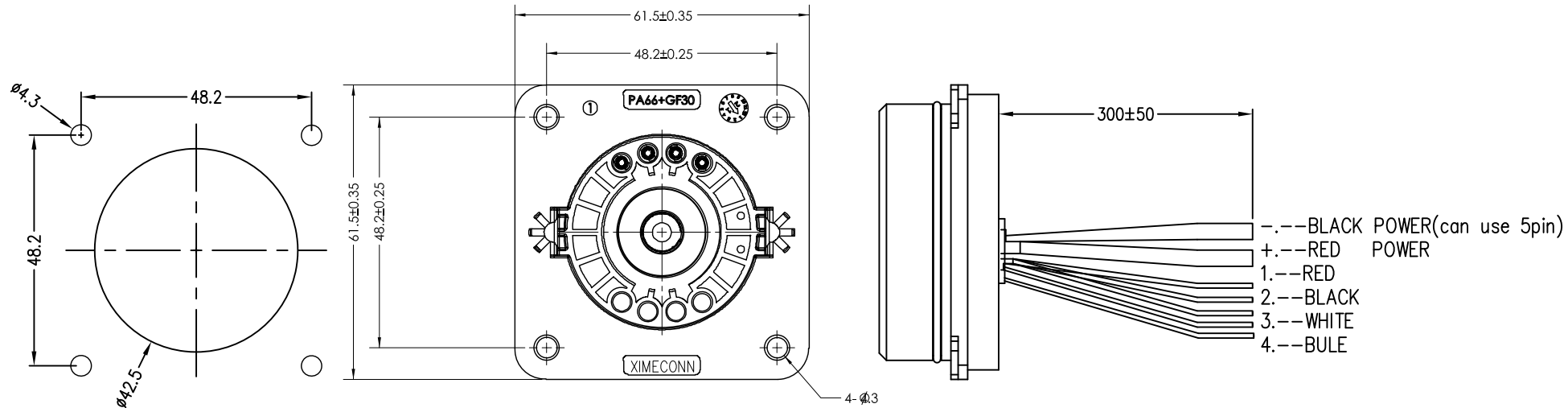
| APPROVALS | | DATE |
|----------------|--------------|----------|
| PREPARED BY: | Eddie Wang | 11/12/20 |
| RD SUPERVISOR: | Gary Ran | |
| QA ENGINEER: | Winnie Zhang | |
| MANUFACTURING: | Tony Huang | |

THIRD ANGLE PROJECTION

| | |
|-------------------------------------|--------------|
| PARTS LIST | |
| Ximeconn Technology Co., Ltd | |
| ESS CONNECTOR 2+5 PLUG SIZE:6 UL | |
| DOCUMENT NO. | REV. |
| PM02005-40A | B |
| SCALE: N/A | SHEET 1 OF 1 |

| GENERAL TOLERANCE | | | | | |
|-------------------|-------|----------|-----------|------------|--------|
| DIM. RANGE | ≤ 100 | >101-500 | >501-1000 | >1001-3000 | > 3001 |
| TOLERANCE | ± 5 | ± 10 | ± 15 | ± 20 | ± 30 |

| REVISIONS | | |
|-----------|-----------------------------|----------|
| LTR | DESCRIPTION | DATE |
| A | INITIAL RELEASE | 11/12/20 |
| B | UPDATED TO UL9540A APPROVED | 9/12/21 |



- 1.MATERIAL:
BODY: THERMOPLASTIC,UL94V-0.
CONTACT: COPPER ALLOY.
- 2.SPECIFICATIONS:
2.1 RATED CURRENT:2pin : POWER 100 AMP, 4+1pin : SIGNAL 5AMP.
2.2 RATED VOLTAGE:300V DC/AC.
2.3 OPERATING TEMPERATURE:-20°C~+85°C.
2.4 RoHS COMPLIANT.
- 3.ALL MATERIALS SHALL BE CERTIFIED COMPLIANT TO THE LATEST RoHS DIRECTIVE.

NOTES:

THIS DOCUMENT CONTAINS PROPRIETARY INFORMATION AND SUCH INFORMATION MAY NOT BE DISCLOSED TO OTHERS FOR ANY PURPOSE OR USED FOR MANUFACTURING PURPOSES WITHOUT WRITTEN PERMISSION FROM THE AMPHENOL CORP.

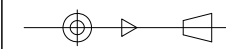
UNLESS OTHERWISE SPECIFIED
 LINEAR DIMENSIONS ARE IN:
 MILLIMETERS
 TOLERANCES:
 ANGLES= ±2'
 DEFAULT LINEAR TOLERANCES SEE TABLE

DIM. & TOL. PER ASME Y14.5M-1994;
 DRW PER MIL-DTL-31000;
 OTHER AMPHENOL STANDARDS: 9-9318

SPECIFICATIONS
 MATERIAL SPEC. N/A
 PROCESS SPEC. N/A

| ITEM | QTY | PART NUMBER | DESCRIPTION | NOTE |
|------|-----|-------------|------------------------------------|------|
| 3 | 1 | | ORING | |
| 2 | 2+5 | - | POWER(10AWG)/SIGNAL(22AWG) CONTACT | |
| 1 | 1 | - | PLASTIC BODY | |

| APPROVALS | | DATE | PARTS LIST | |
|--------------------------|--------------|----------|---------------------------------------|--|
| PREPARED BY: | Eddie Wang | 11/12/20 | Ximeconn Technology Co., Ltd | |
| RD SUPERVISOR: | Gary Ran | | | |
| QA ENGINEER: | Winnie Zhang | | | |
| MANUFACTURING: | Tony Huang | | | |
| THIRD ANGLE PROJECTION | | | ESS CONNECTOR 2+5 SOCKET SIZE:6 UL | |
| DOCUMENT NO. PF02005-40A | | | REV. B | |
| SCALE: N/A | | | SHEET 1 OF 1 | |





27441 G130



XM[®]CONN

