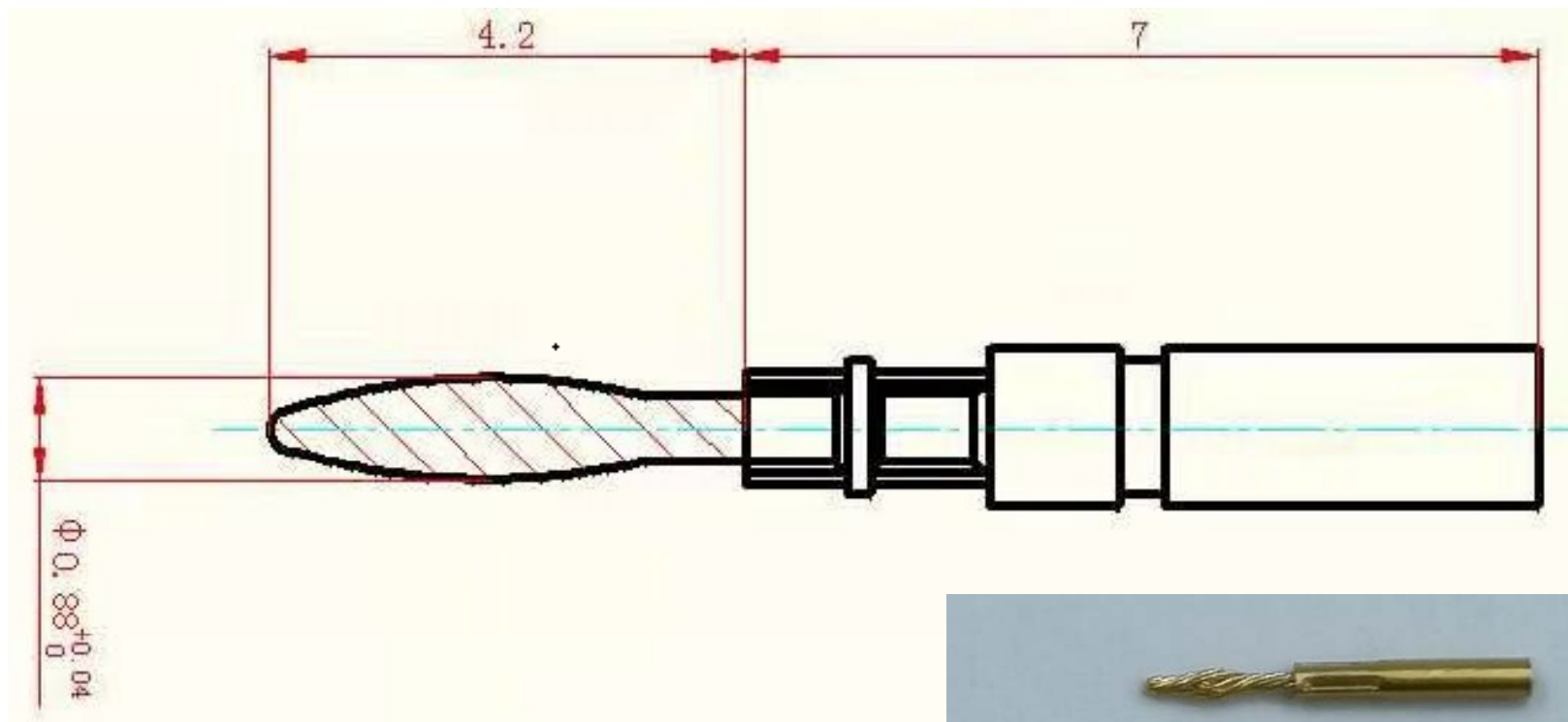
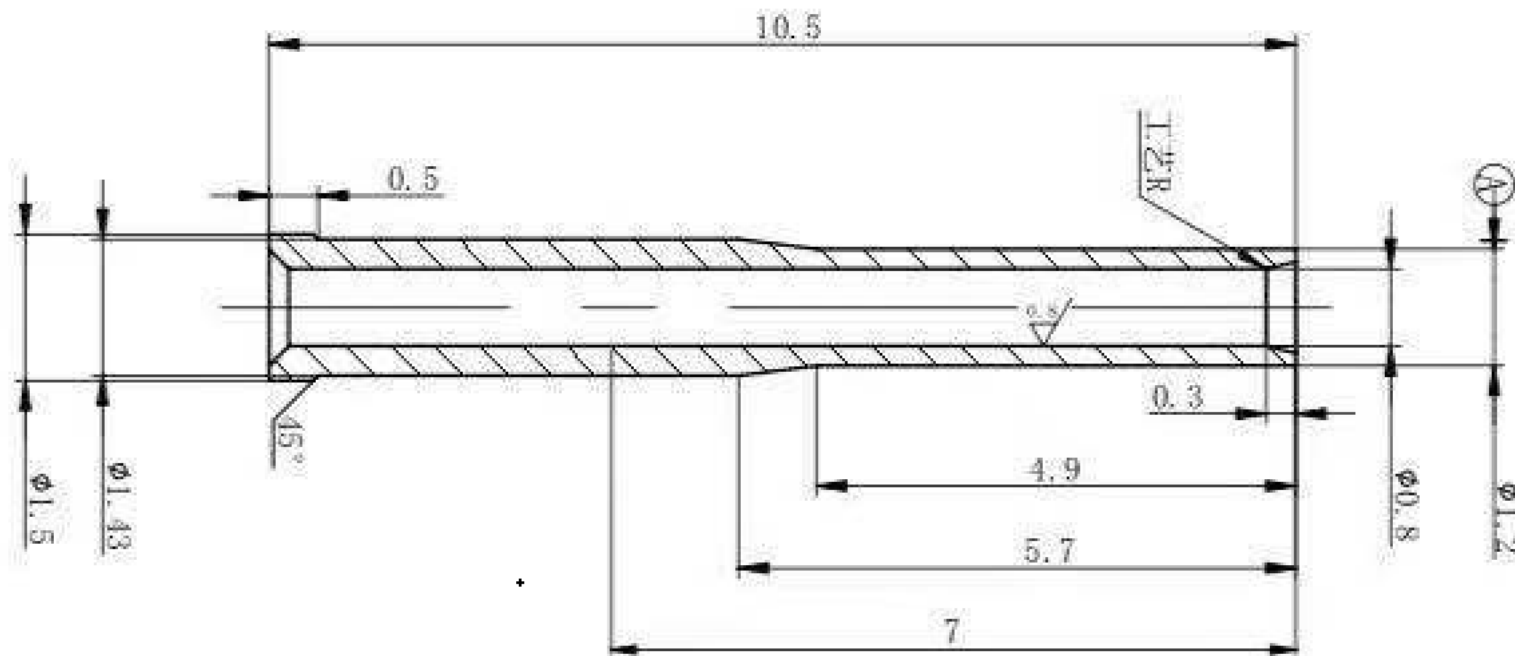


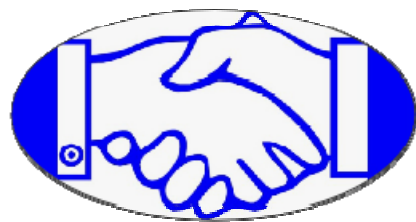
Twist 0.92 male with 1.27 micron gold



Twist 0.92 female with 0.8 micron gold



X M[®] 深圳市西米连接科技有限公司
XIME CONNECTOR TECHNOLOGY CO. LTD



THANKS!